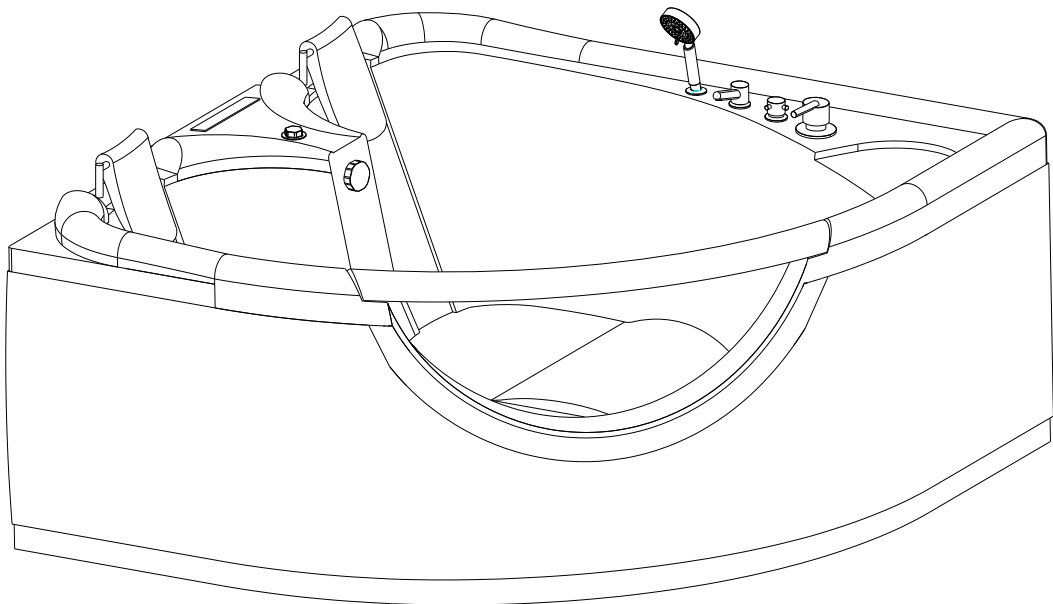


ARIEL

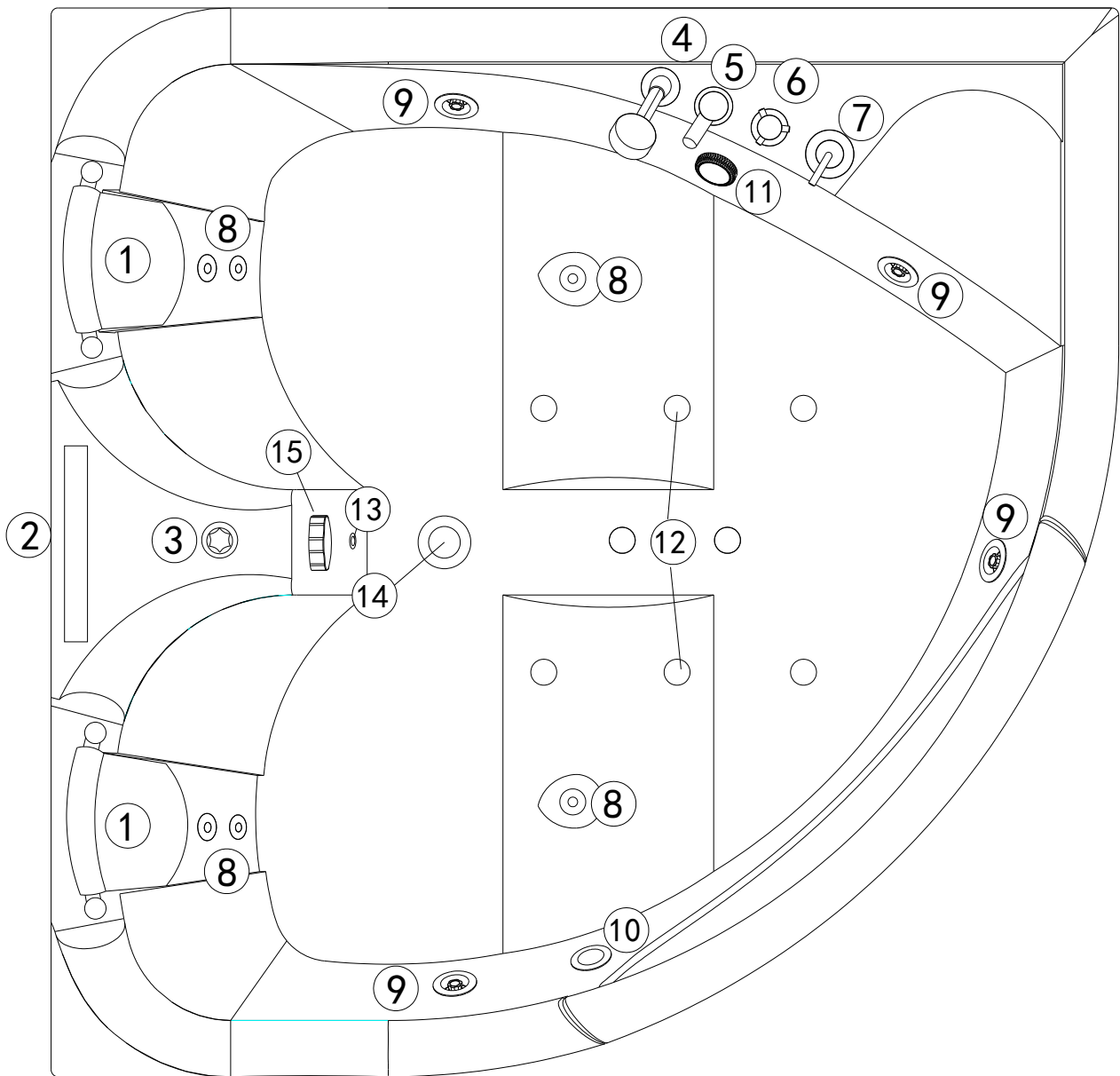
Whirlpool Installation Manual

ARIEL

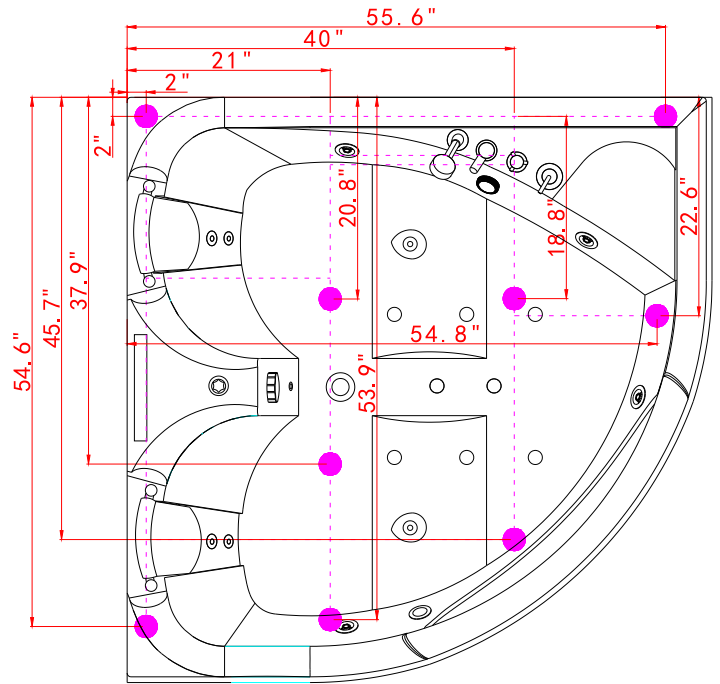
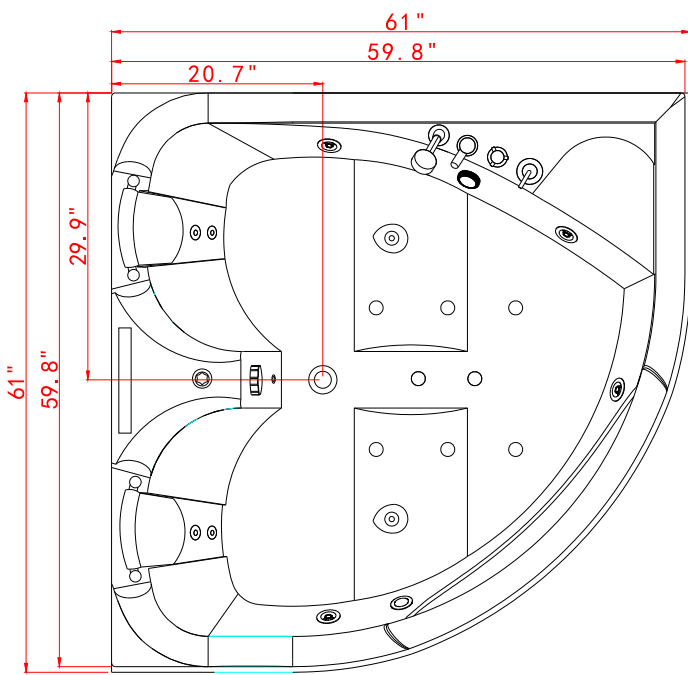
HW 125



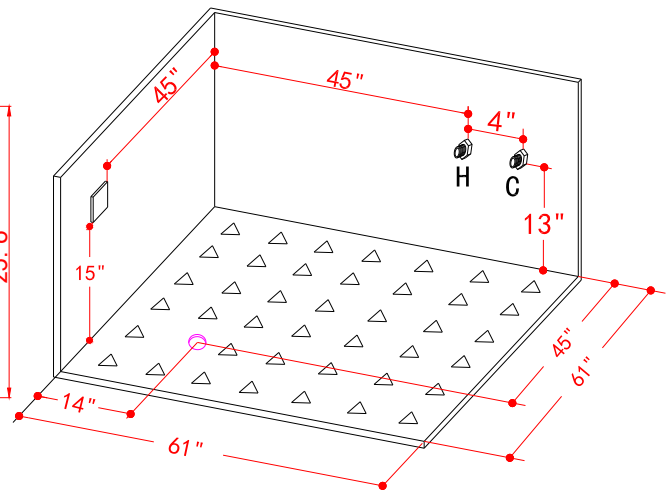
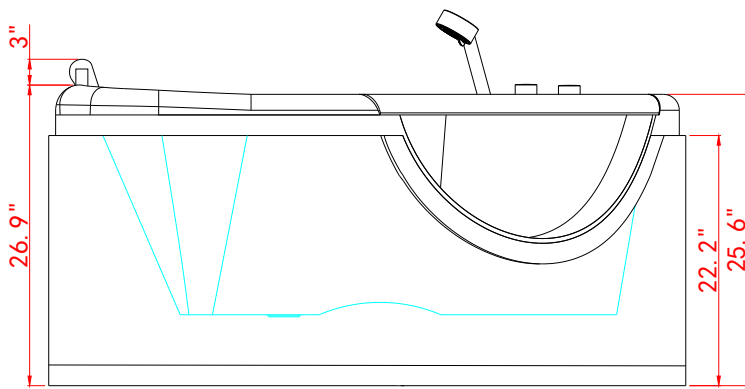
Serial Number:



No.	English	No.	English
1	Headrest	9	Multiple Direction Water Jet
2	Control Panel	10	LED Underwater Lamp
3	Air Regulator	11	Water Suction
4	Shower Wand	12	Air Jet
5	Faucet Spout	13	Temperature Sensor
6	Function Selector	14	Drain
7	Thermostatic Selector	15	Overflow Drain & Drain Knob
8	Water Jet		



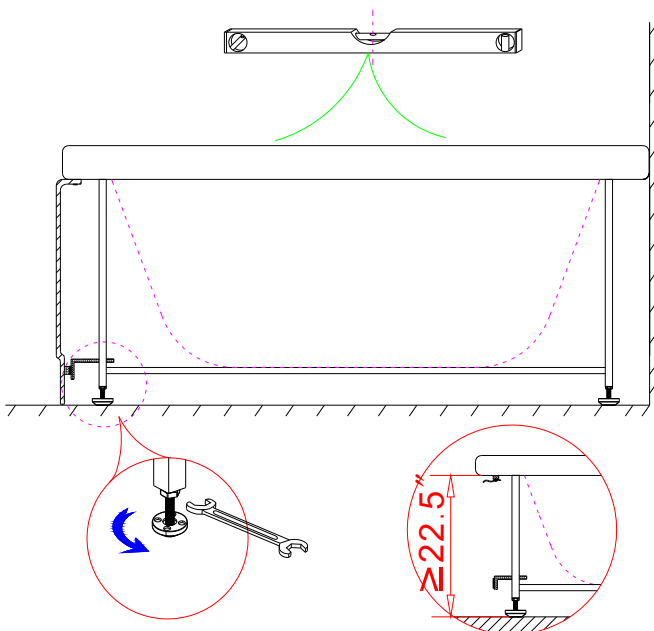
***Actual Drain-Cutout Location**



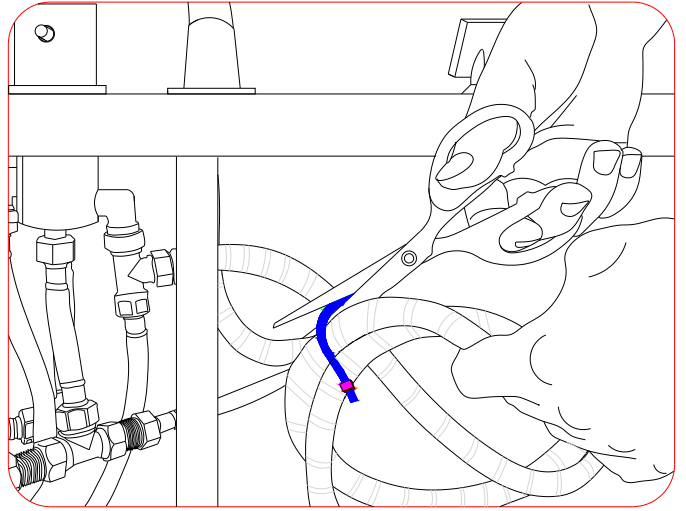
***Optional: Flex-Drain Drain Location**

All measurements are given in Inches
 Designs and sizes can vary. We accept no liability for errors,
 manufacturing tolerance and product changes.

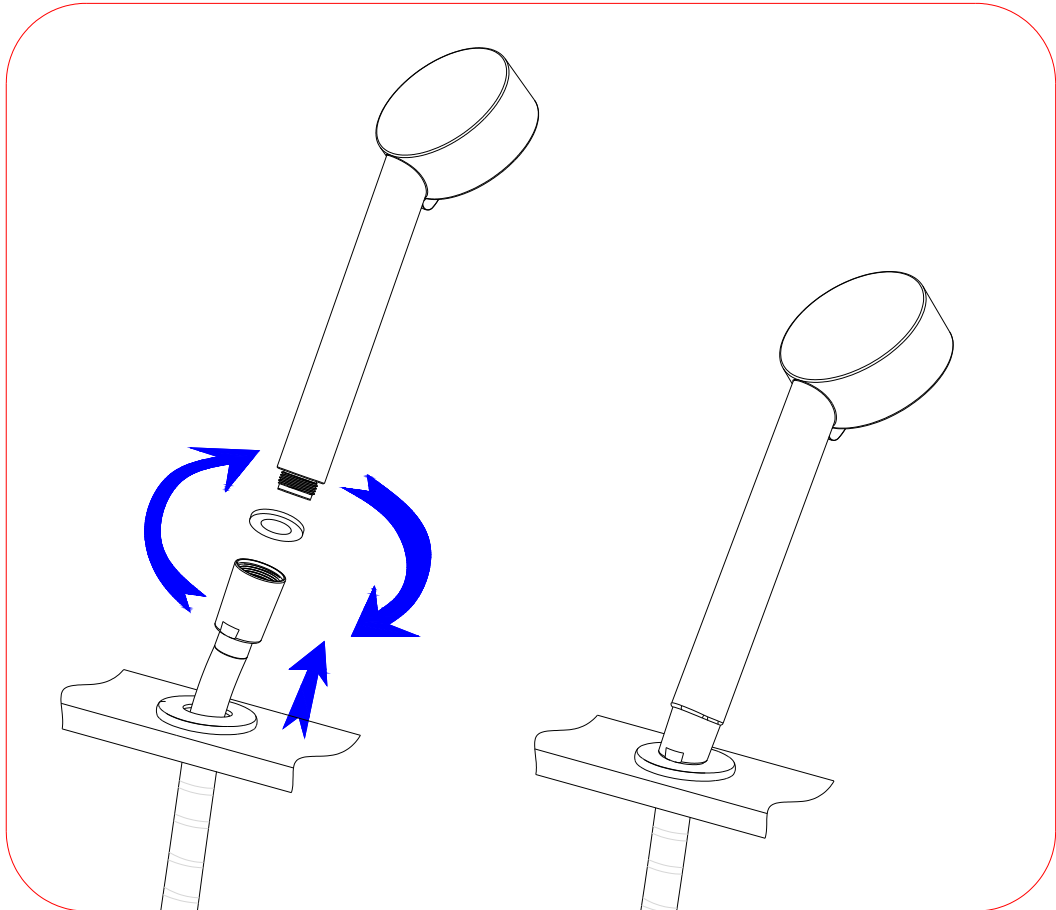
1



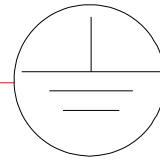
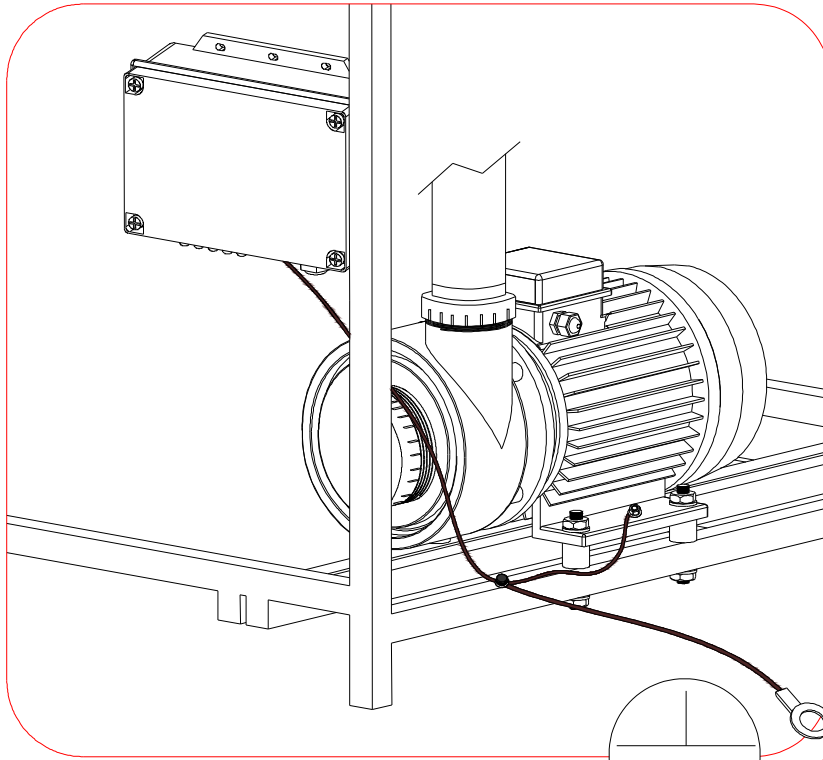
2



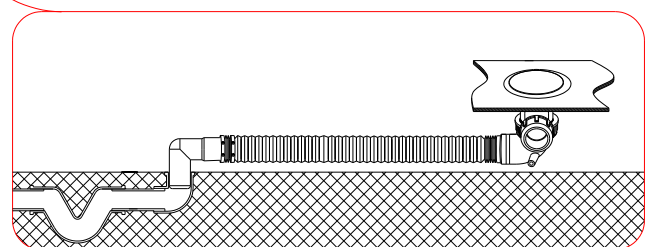
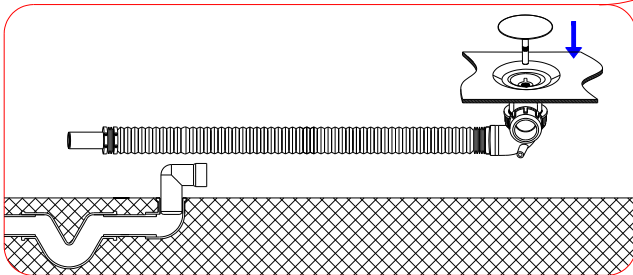
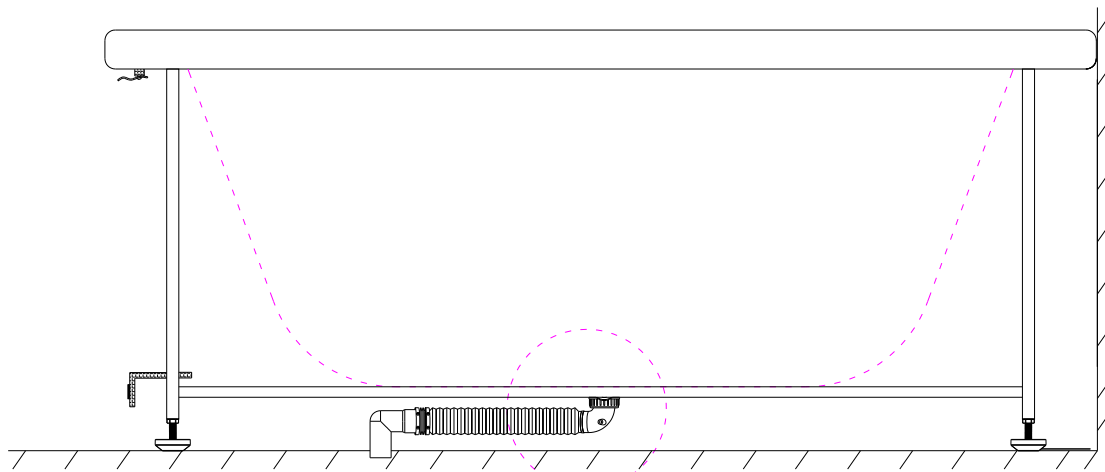
3



4

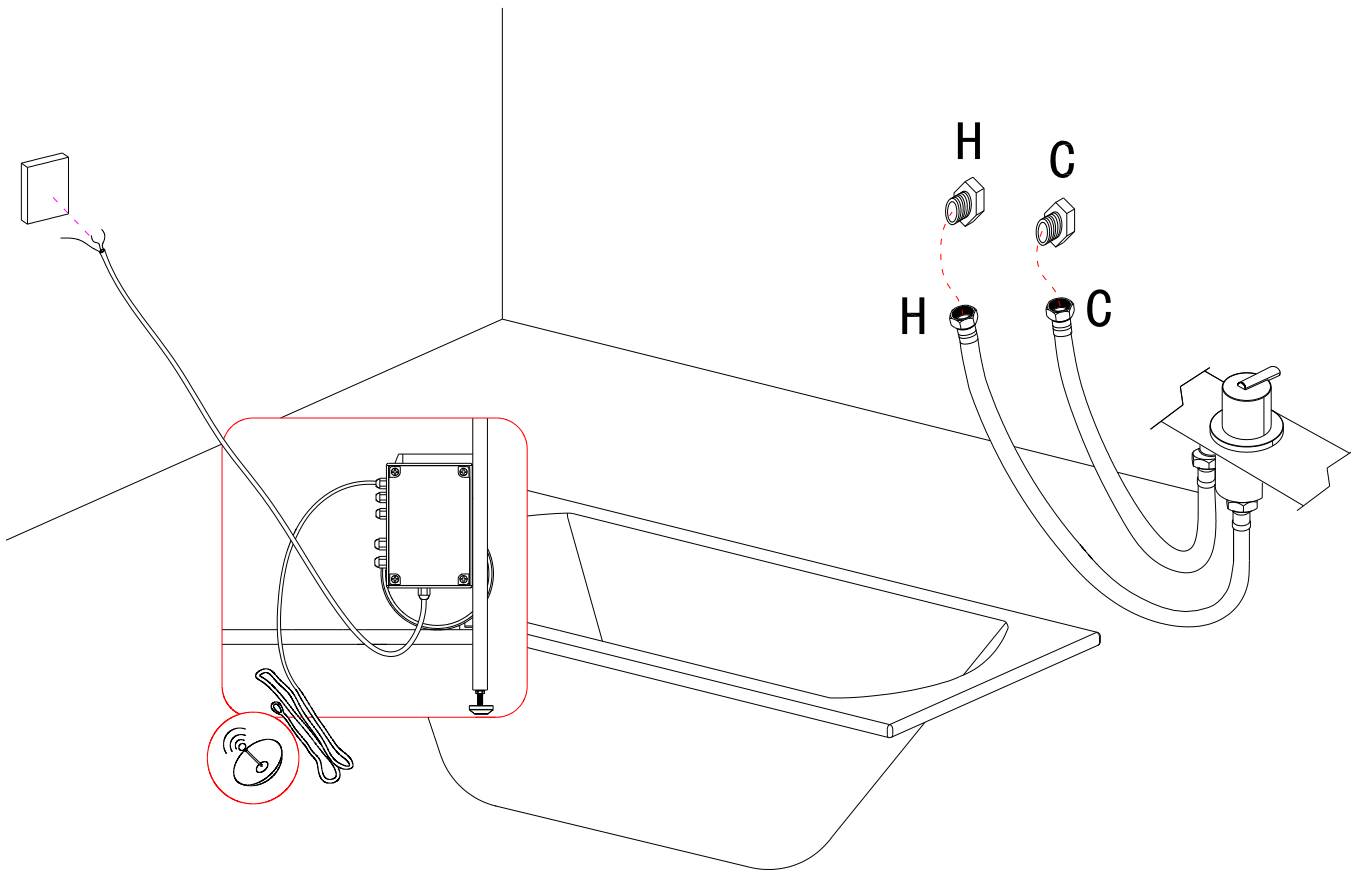


5

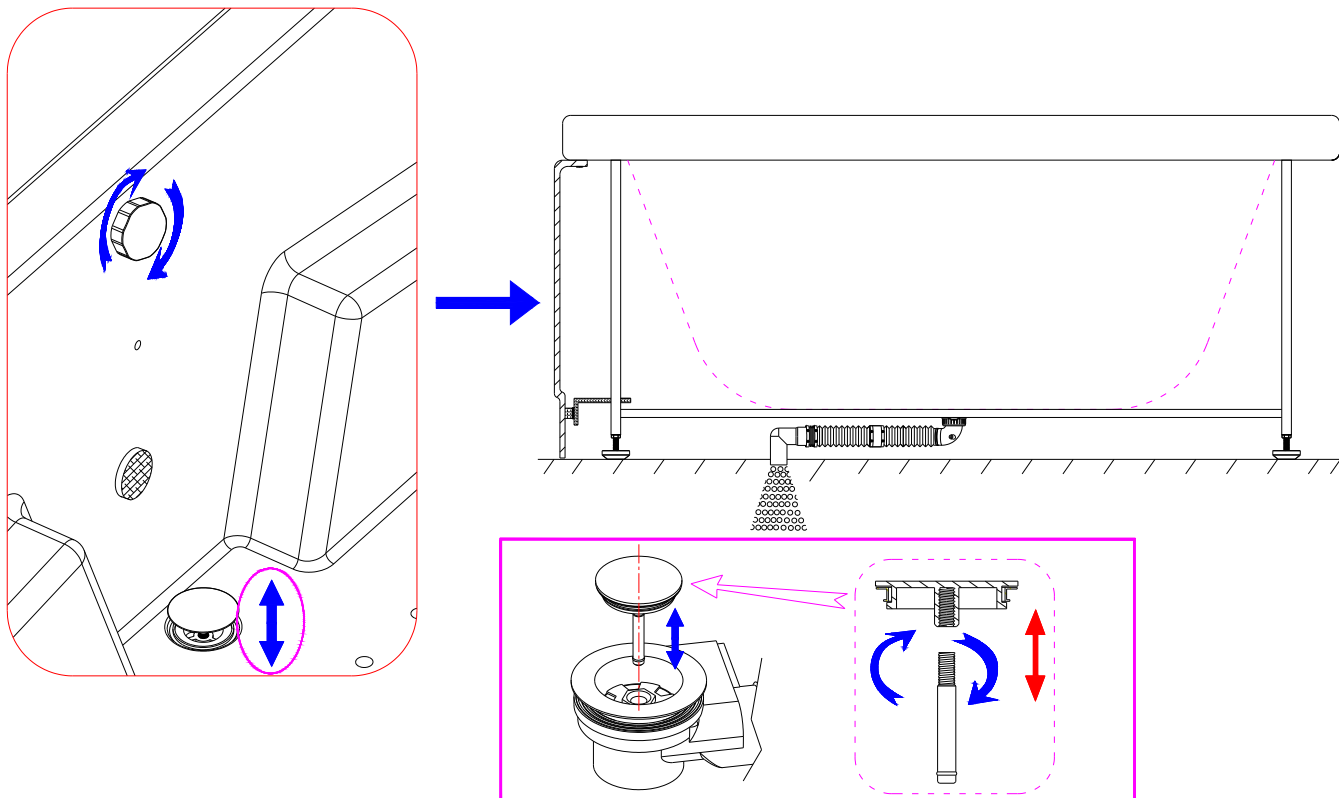


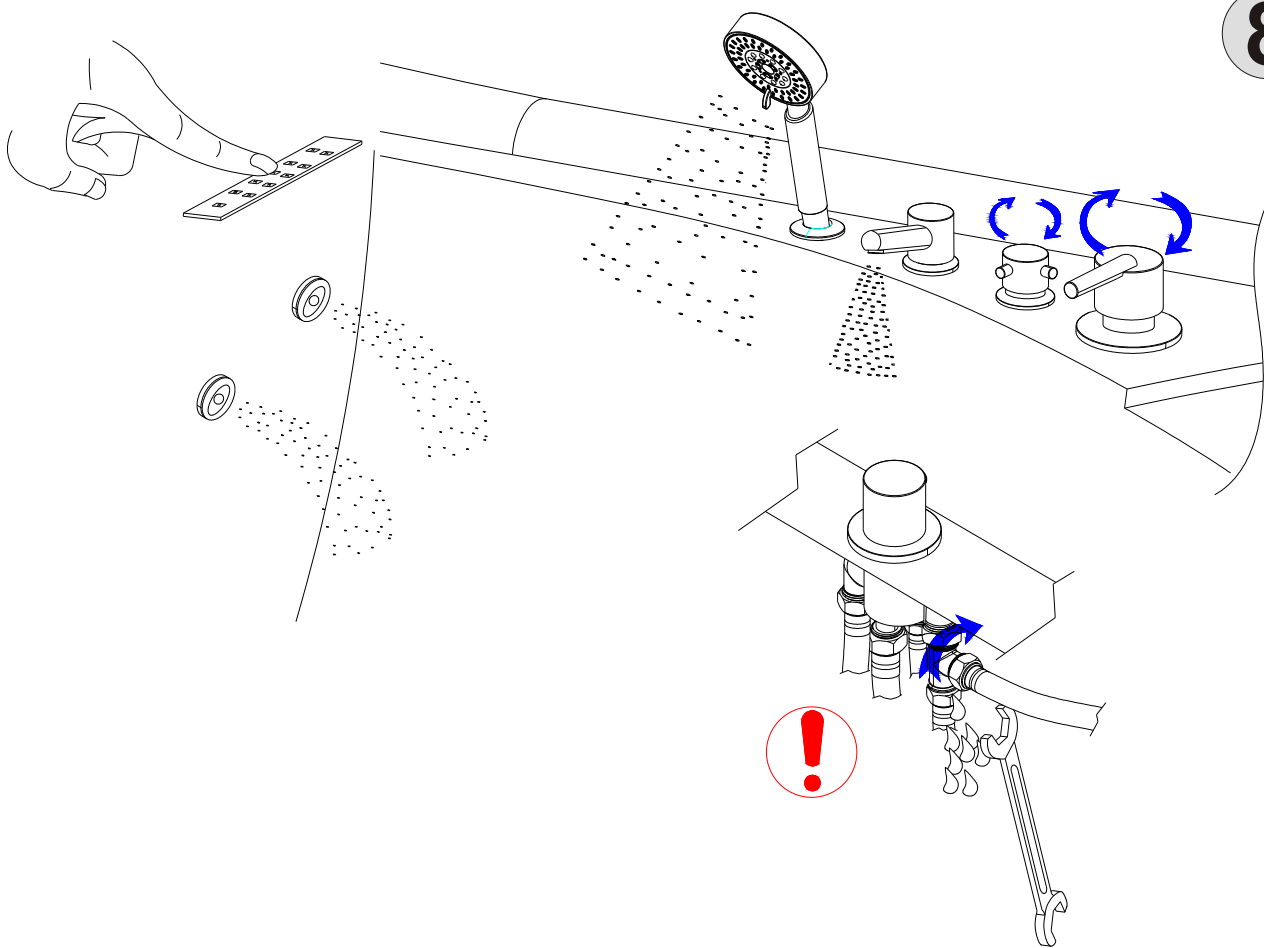
*Some optional features maybe shown: Flex-Drain Hose

6



7

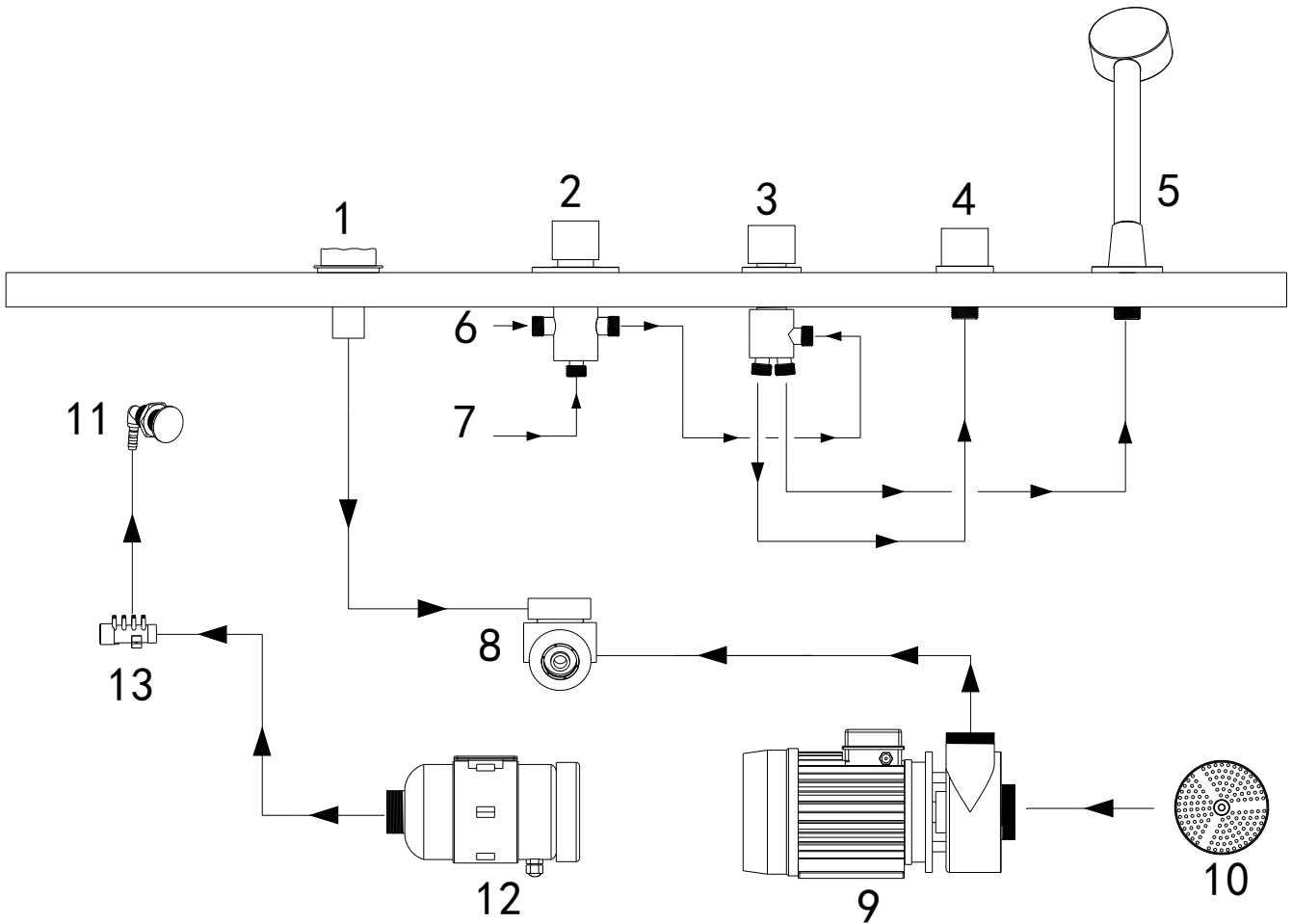




Technical Parameters

Rated Voltage	AC220-240V 60Hz
Rated Current	11.8A
Normal Rated Power	2.6KW
Water Pipe Dimension	1/2"
Drainage Pipe Dimension	1 1/2" (40mm)
Max. Hot Water Temperature	176°F (80°C)
Recommended Hot Water	149°F (65°C)
Operating Pressure	Max 116 PSI (8 bar / 0.8 mPa)
Recommended Operating Pressure	14.5-72.5 PSI (1-5 bar / 0.1-0.5mPa)

Flowchart



1	Air Regulator	8	Water Jet
2	Thermostatic Selector	9	Water Pump
3	Function Selector	10	Water Suction
4	Faucet Spout	11	Air Jet
5	Shower Wand	12	Air Pump
6	Cold Water Supply Inlet	13	Air Manifold
7	Hot Water Supply Inlet		

Electrical Wiring Diagram

